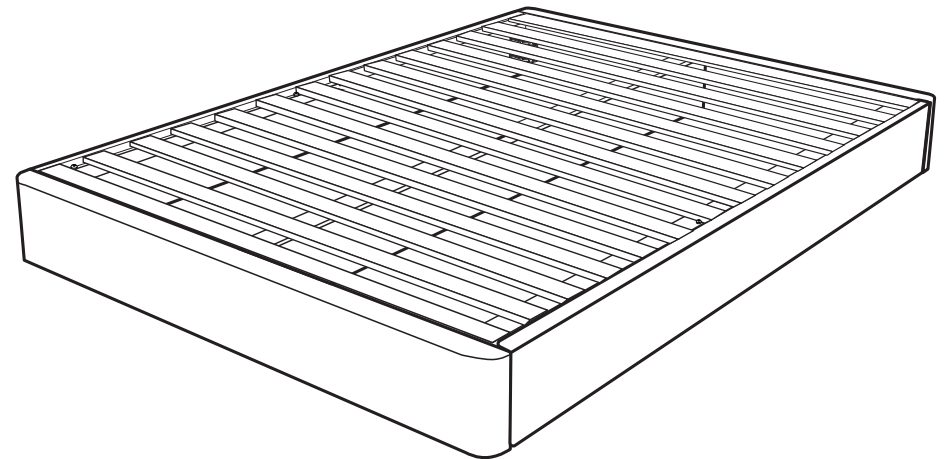
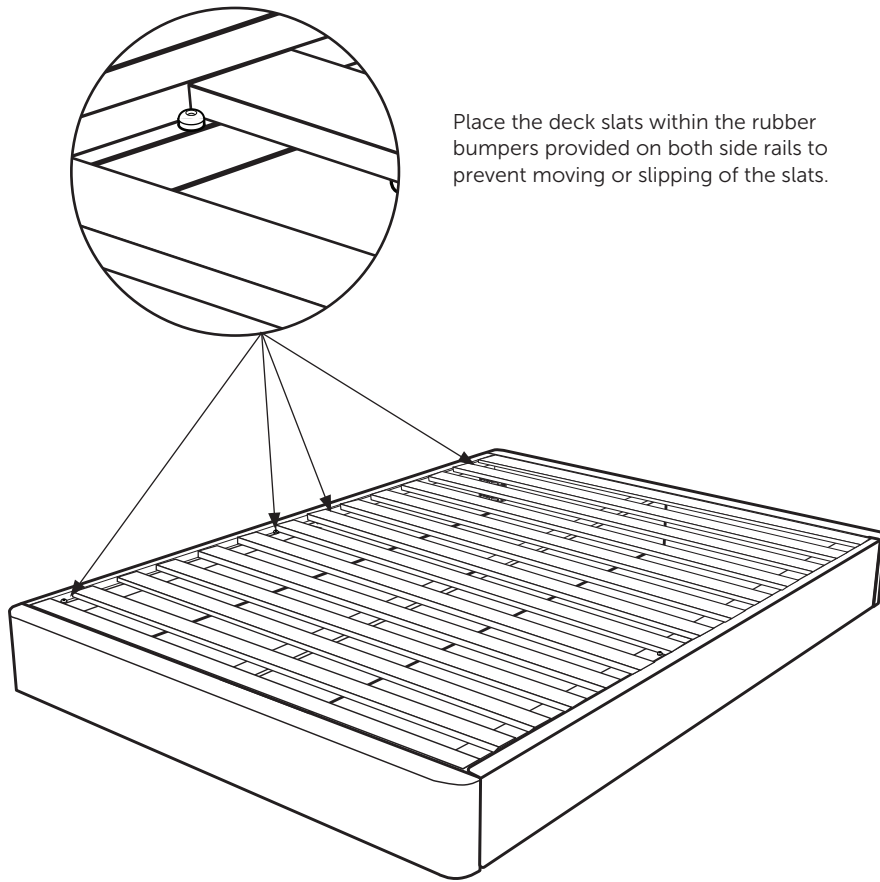


## Step 6

**leesa**<sup>®</sup>  
rest on.

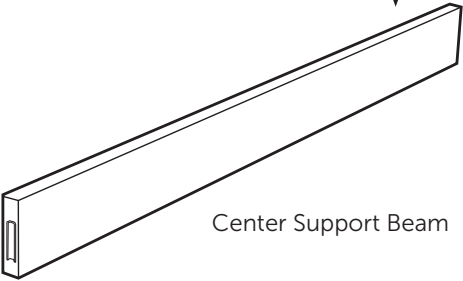


Rest with ease knowing we're here if you need us.

Email us at [support@leesa.com](mailto:support@leesa.com) or  
call us toll-free 1-844-33-LEESA or  
live chat with us during the day at  
[Leesa.com](https://www.leesa.com)

[Leesa.com](https://www.leesa.com)

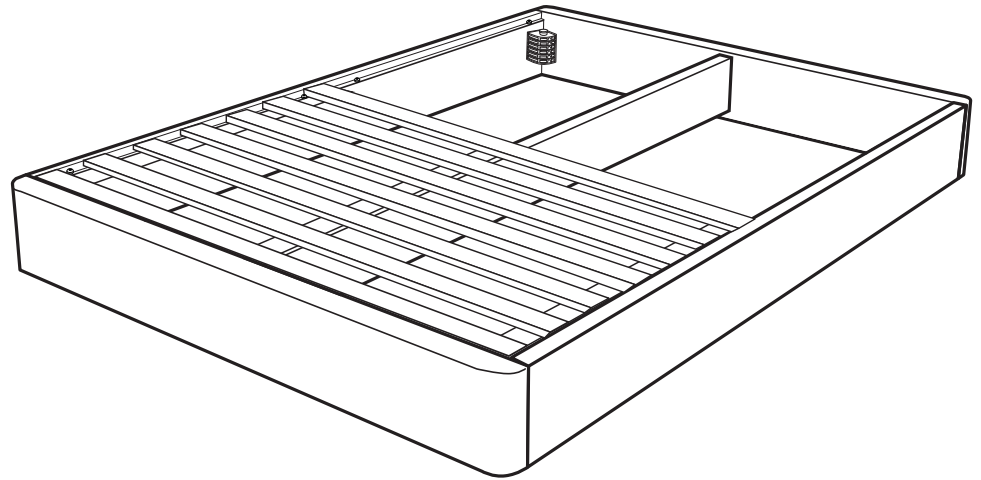
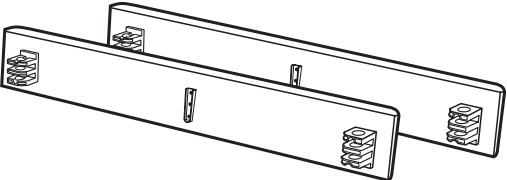
Parts



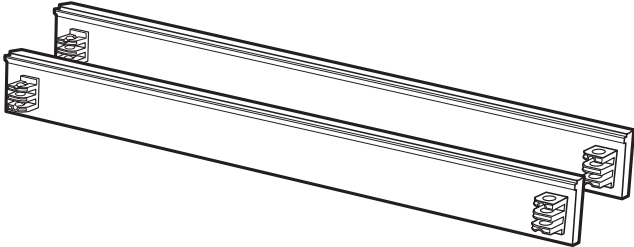
Center Support Beam

Center Support Beam	
Bed Size	Quantity
Twin	0
Twin XL	0
Full	1
Queen	1
King	2
Cal King	2

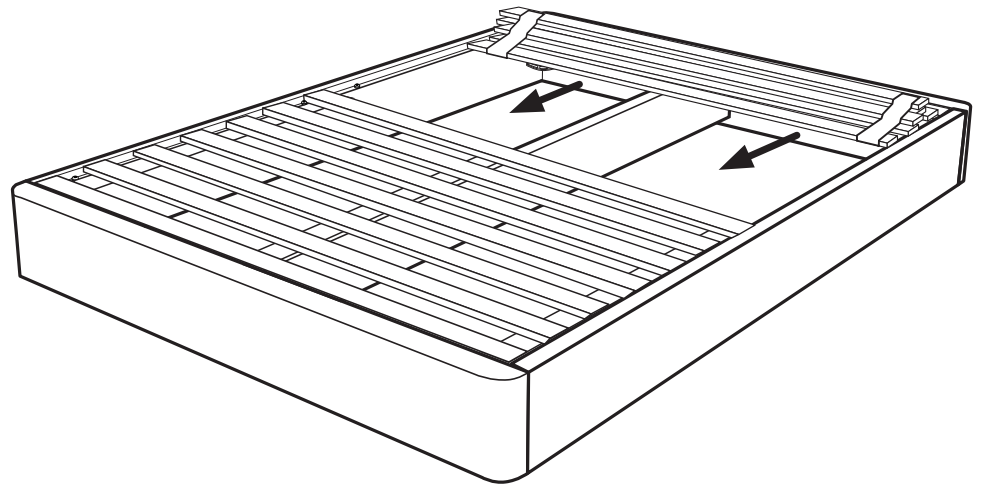
Step 5

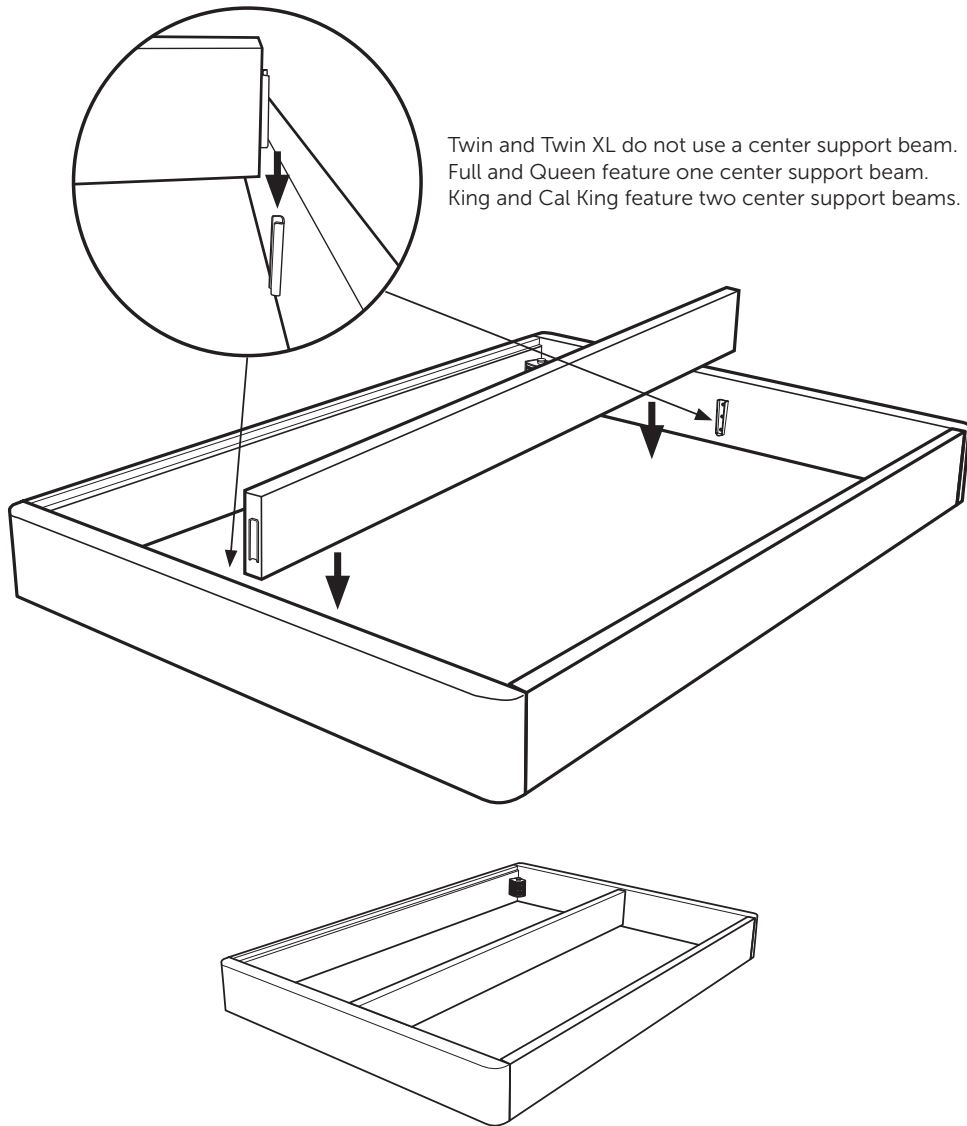
End Rails x2



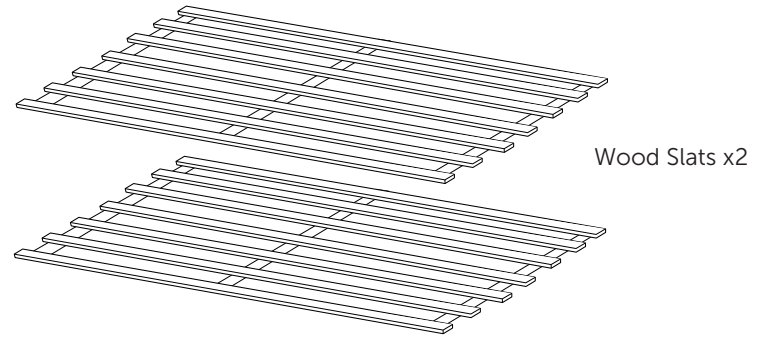
Side Rails x2



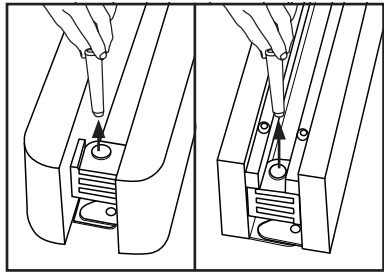
### Step 4



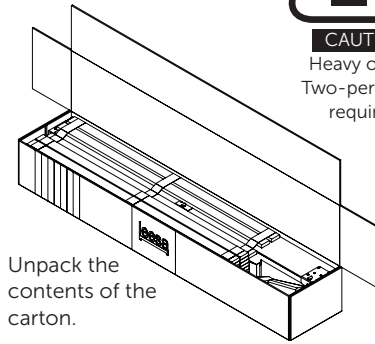
### Parts



### Step 1



In the carton, side and end rails are connected with four pegs. After unpacking, pull the four pegs out of the corner locking blocks. The four pegs will be required in later steps to secure the rail corners.



Unpack the contents of the carton.

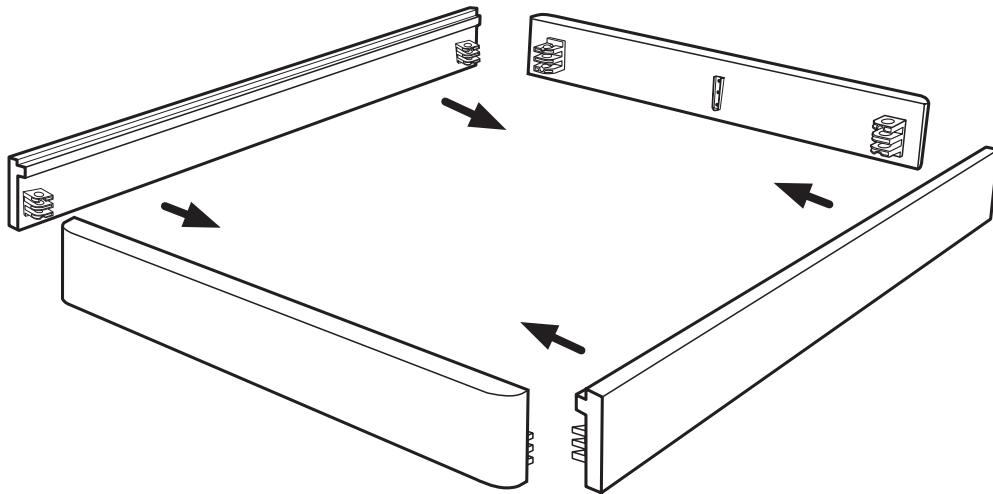


Four Pegs



**CAUTION**  
Heavy object.  
Two-person lift required.

### Step 2



### Step 3

