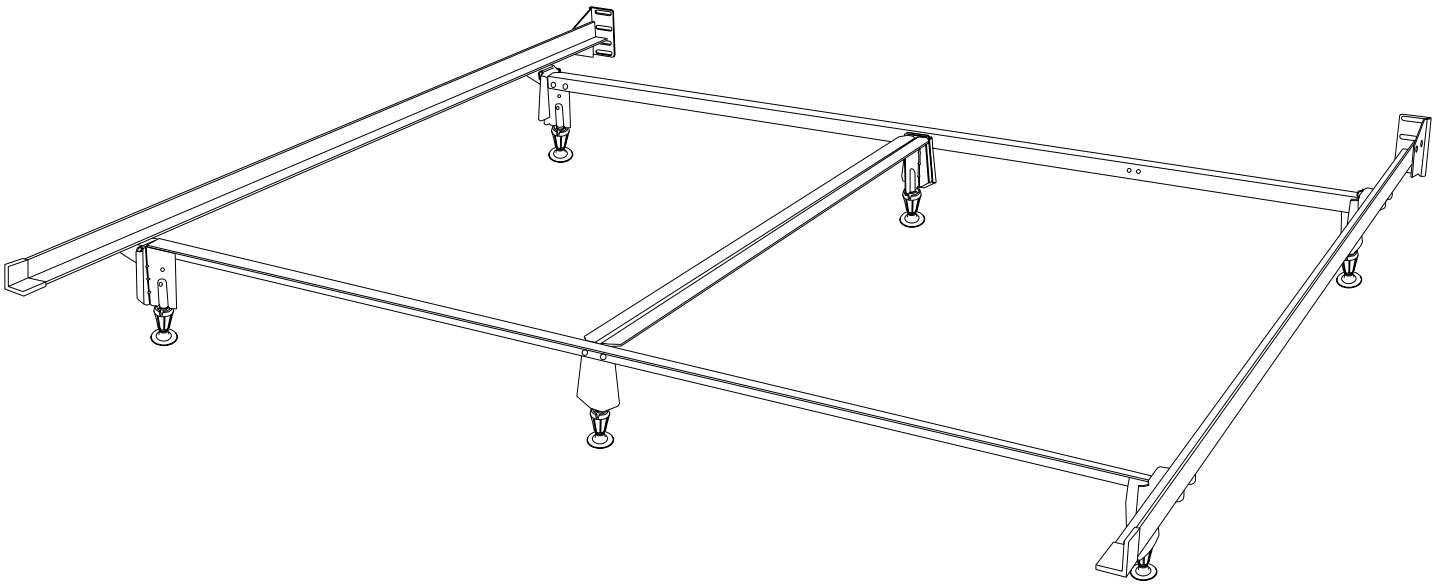




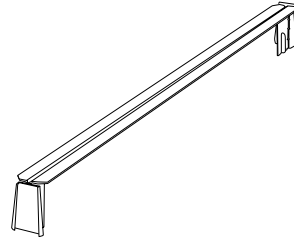
How to Assemble the Leesa Bed Frame



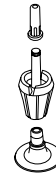


Parts

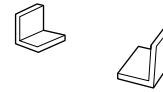
Center Support for Queen, King, and Cal King sizes - 1
(Twin and Full sizes do not feature a center support)



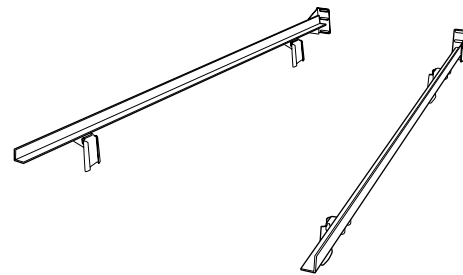
Glides for Queen, King, and Cal King sizes - 6
Glides for Twin and Full sizes - 4



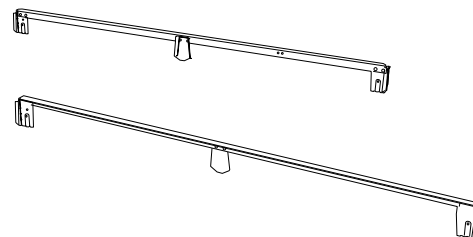
Plastic End Caps - 2



Side Rails - 2



Cross Arms - 2



Assembly

Step 1

Assemble cross arms to side rails by sliding outer legs into the inner legs as shown in [Figure 1](#) and [2](#).

Step 2

Slide end caps onto side rails. Warning: End caps must be placed over ends of side rails to avoid serious injury. [Figure 2](#).

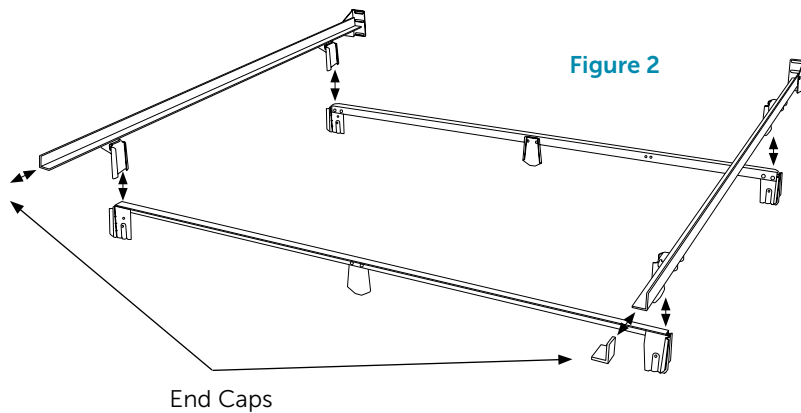


Figure 1

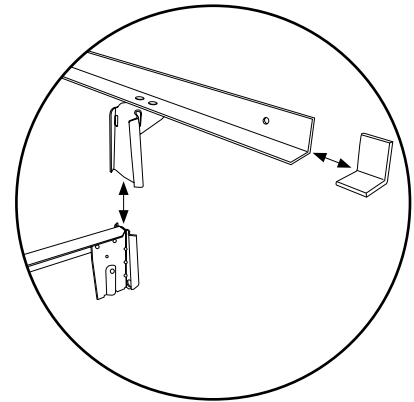
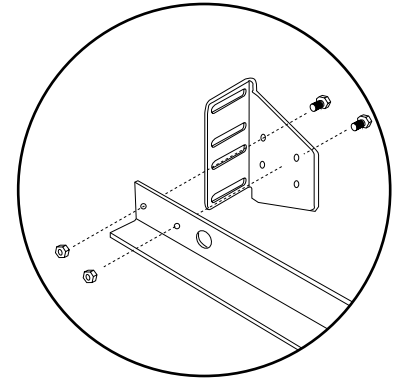


Figure 3



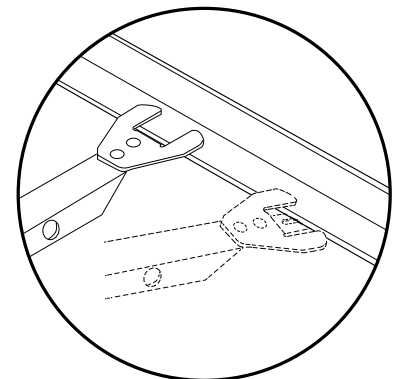
Step 3

For frames with detached headboard brackets: Attach headboard brackets by using provided nuts and bolts as detailed in [Figure 3](#).

Step 4

For frames with head-to-foot center support: With the center legs positioned toward the middle of the bed as shown in [Figure 4](#), slide the center support in place.

Figure 4

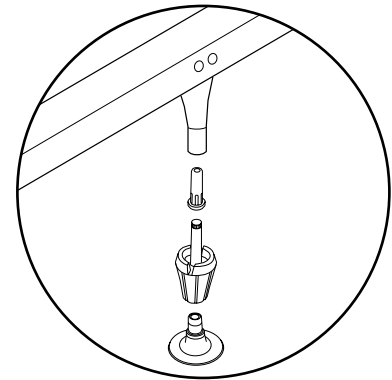




Step 5

For frames with side-to-side support: Align one end of the cross support with the slot in the center of one of the side rails. Make sure the spring clip snaps in place. Swing other end of cross support until spring clip locks in place as detailed in [Figure 5](#).

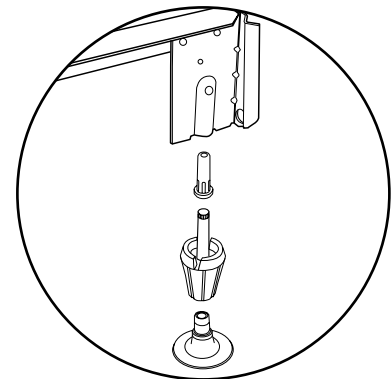
Figure 5



Step 6

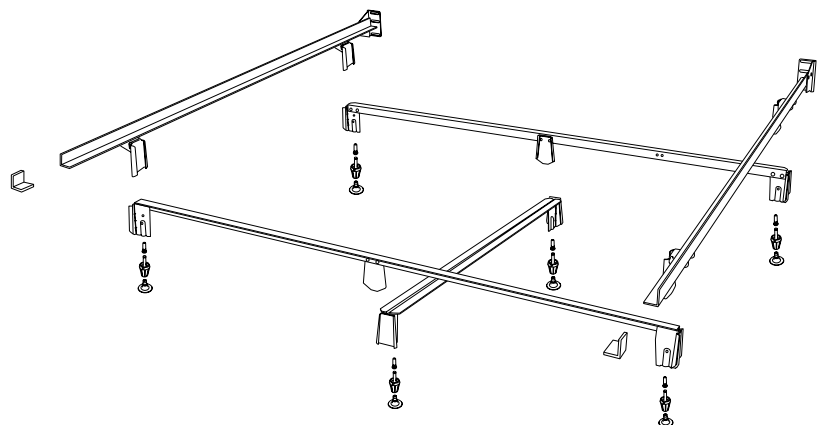
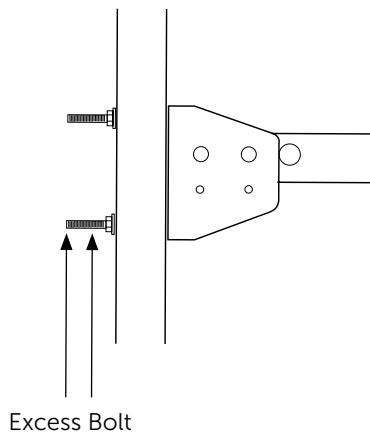
Tap plastic insert into leg. Snap glide base onto glide extension. Install glide assembly as shown in [Figure 6](#) making sure that the leg fits into the notch on top of glide.

Figure 6



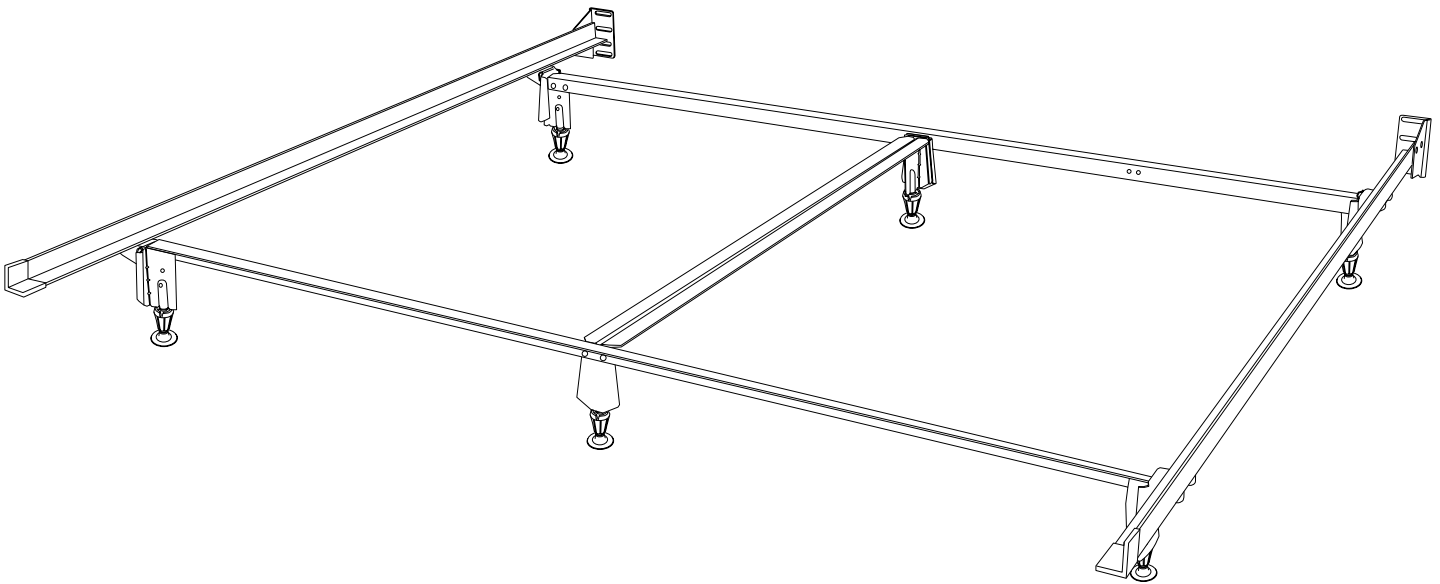
Step 7

When attaching this frame to a headboard with narrow posts, it is recommended that any excess bolt be cut after attachment. See [Figure 5](#).



Exploded View

Exploded view of Queen and King size bed frame. Full and Twin sizes do not feature a center rail.



Rest with Ease Knowing
We're Here If You Need Us

Live chat with us during the day at [Leesa.com](https://www.leesa.com)

CALL US TOLL-FREE: 1-844-33-LEESA

Email Us: support@leesa.com